



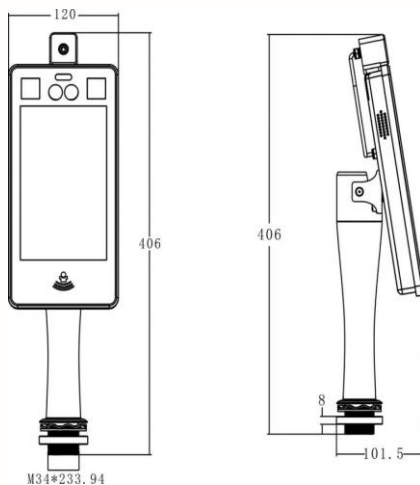
Face Recognition Terminal with Forehead Fever Detection

Features

- Face detection, capturing, recognition, comparison and access control
- Liveness detection for anti-spoofing
- Temperature detection
- Swift response
- Sony 2MP starlight CMOS sensor
- Database: 10,000 people
- Wiegand 26-,34-, 66-bit protocols
- Industrial design with Linux OS
- API available for project customization



Dimensions



Specifications

Model	FA-MR0M1T
CAMERA	
Type	Dual camera (colour + B/W)
Image Sensor	Sony 1/2.8" 2MP starlight CMOS sensor
Effective Pixel	1920 (H) x 1080 (V)
Frame Rate	25/30fps
Lens	6mm
White Balance	Auto
Image Settings	Exposure, gain, contrast, saturation and brightness
DISPLAY	
Size	7" IPS LCD screen
Resolution	1280 x 800 pixels
ACCESSORIES	
Lighting	IR, white light
Loudspeaker	Out-going authentication message and temperature alarm
FACE RECOGNITION	
Face Size	Pupil distance \geq 80 pixels; Face width \geq 150 pixels
Face Angle	Vertical \leq 20°; Horizontal \leq 30°
Capacity	10,000 faces
Accuracy	\geq 98% (subject to conditions)
Response Time	\leq 1s
Detection Distance	0.3 – 1.3m
Events Storage	100,000
TEMPERATURE DETECTION	
Detection Range	34°C ~ 42°C
Measurement Accuracy	\pm 0.5°C
Response Time	\leq 1s
Detection Distance	25 – 40cm
EVENT	
External Alarm Input	1
Relay Output	2
COMMUNICATION	
Network	RJ-45, 100 base-T
Protocol	TCP/IP, HTTP, IPv4, DHCP, RTSP, NTP, FTP, ONVIF
Wiegand Port	1
RS485	1
TF Card Interface	1
MISCELLANEOUS	
Operating Environment	-10 ~ 50°C / 90% relative humidity (no condensation)
Power Supply	DC12V, 12W
Dimensions (mm)	118 (W) x 270 (H) x 29 (D), excluding bracket
Weight	1.6kg

