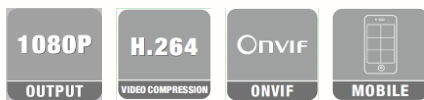




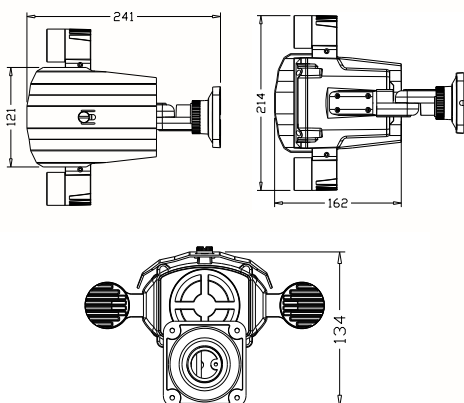
## IP 2MP Extra Long Range Bullet Camera

### Features

- Sony 1/2.9" 2.2MP CMOS sensor
- H.264 / M-JPEG dual streams
- Micro SD slot for recording
- Day/Night (ICR), D-WDR, 3DNR, AGC
- Motion detection
- Privacy masks
- ONVIF (Profile S)
- Power over Ethernet (PoE)



### Dimensions



### Specifications

Model	NS2-B54M
<b>CAMERA</b>	
Image Sensor	Sony 1/2.9" 2.2MP CMOS sensor
Effective Pixel	1920 (H) x 1080 (V)
Frame Rate	25/30fps
Resolution	Up to 1080p (main stream); up to D1 (sub stream)
Video Compression	H.264, M-JPEG (16kbps – 8000kbps)
Audio Compression	G.711A (64kbps)
Open Standard	ONVIF (Profile S)
Min. Illumination	0.0 lux (IR on)
IR Range	80m
Sync System	Internal
Scan System	Progressive scan
Lens	6 – 22mm
Angle of View	Horizontal: 39° ~ 15°; Vertical: 21° ~ 10°
Electronic Shutter	Auto / manual (1/30-1/10000) / FLK
S/N Ratio	≥50db
<b>CONTROL</b>	
Video Adjustment	Brightness, contrast, saturation, sharpness, hue
3D Noise Reduction	Close / low / mid / mid-high / high
Digital WDR	Close / low / mid / high
Auto Gain Control	Low / mid-low / mid / mid-high / high
Day / Night	Auto / color / B/W / external
Privacy Mask	4 zones
Mirror	Close / horizontal / vertical / 90° rotation / 180° rotation / 270° rotation
Slow Shutter	Close / open
<b>EVENT</b>	
Event Type	External alarm, video motion detection, video tamper, network interruption
Action Type	Dial-back, snapshot, relay switch control, email notification, micro SD card recording
External Alarm Input	2
Motion Detection	4
Relay Output	1
<b>COMMUNICATION</b>	
Network	RJ-45, 100 base-T
Protocol	TCP/IP, UDP, HTTP, DHCP, RTSP, DDNS, SMTP(SSL), PPPoE, UPNP, NTP, P2P, FTP
Concurrent Connection	5
Audio Input	1
Audio Output	1
Video Output	1 (CVBS)
<b>MISCELLANEOUS</b>	
Weather Protection	IP66
Operating Environment	-20 ~ 55°C / 90% relative humidity (no condensation)
Power Supply	DC12V / PoE, 12W
Dimensions (mm)	214 (W) x 134 (H) x 241 (L)
Weight	1345g



#### WAMA Technology Limited

Unit 502, 5/F, Block B, Wing Kut Industrial Building,  
608 Castle Peak Road, Kowloon, Hong Kong.

Tel : (852) 3703 9260

Email : info@wamatech.co

Fax : (852) 3705 0053

Website : www.wamatech.co