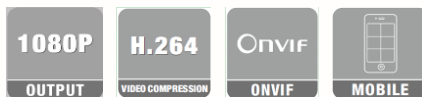




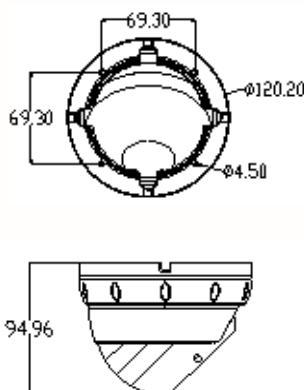
IP 2MP Eyeball Camera

Features

- Sony 1/2.9" 2.2MP CMOS sensor
- H.264 / M-JPEG dual streams
- Day/Night (ICR), D-WDR, 3DNR, AGC
- Motion detection
- Privacy masks
- ONVIF (Profile S)



Dimensions



Specifications

Model	NS2-D34W
CAMERA	
Image Sensor	Sony 1/2.9" 2.2MP CMOS sensor
Effective Pixel	1920 (H) x 1080 (V)
Frame Rate	25/30fps
Resolution	Up to 1080p (main stream); up to D1 (sub stream)
Video Compression	H.264, M-JPEG (16kbps – 8000kbps)
Audio Compression	-
Open Standard	ONVIF (Profile S)
Min. Illumination	0.0 lux (IR on)
IR Range	30m
Sync System	Internal
Scan System	Progressive scan
Lens	2.8 - 12mm
Angle of View	Horizontal: 93° ~ 33°; Vertical: 49° ~ 19°
Electronic Shutter	Auto / manual (1/30-1/10000) / FLK
S/N Ratio	≥50db
CONTROL	
Video Adjustment	Brightness, contrast, saturation, sharpness, hue
3D Noise Reduction	Close / low / mid / mid-high / high
Digital WDR	Close / low / mid / high
Auto Gain Control	Low / mid-low / mid / mid-high / high
Day / Night	Auto / color / B/W / external
Privacy Mask	4 zones
Mirror	Close / horizontal / vertical / 90° rotation / 180° rotation / 270° rotation
Slow Shutter	Close / open
EVENT	
Event Type	Video motion detection, video tamper
Action Type	Dial-back, snapshot, email notification
External Alarm Input	0
Motion Detection	4
Relay Output	0
COMMUNICATION	
Network	RJ-45, 100 base-T
Protocol	TCP/IP, UDP, HTTP, DHCP, RTSP, DDNS, SMTP(SSL), PPPoE, UPNP, NTP, P2P, FTP
Concurrent Connection	5
Audio Input	0
Audio Output	0
Video Output	1 (CVBS)
MISCELLANEOUS	
Weather Protection	IP65
Operating Environment	-20 ~ 55°C / 90% relative humidity (no condensation)
Power Supply	DC12V, 10W
Dimensions (mm)	95 (H) x Ø120 (D)
Weight	675g
Accessories	CC-WL0D3, CC-DP0D3



WAMA Technology Limited

Unit 502, 5/F, Block B, Wing Kut Industrial Building,
608 Castle Peak Road, Kowloon, Hong Kong.

Tel : (852) 3703 9260

Email : info@wamatech.co

Fax : (852) 3705 0053

Website : www.wamatech.co