



# Starlight Intelligent 2MP Bullet IP Camera

## Features

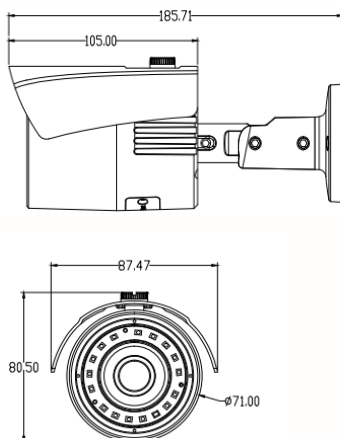
- Sony 1/2.8" 2.1MP STARVIS sensor
- Starlight sensitivity
- H.265 / H.264 / M-JPEG dual streams
- Built-in video analytic functions
- Motorized vari-focal lens
- Micro SD slot for recording
- Enhancements: T-WDR (120dB), 3D NR, defogging
- ONVIF (Profile S)



## Specifications

Model	NV2-B66W
<b>CAMERA</b>	
Image Sensor	Sony 1/2.8" 2.1MP STARVIS sensor
Effective Pixel	1920 (H) x 1080 (V)
Frame Rate	25/30fps
Resolution	Up to 1080p (main stream); up to D1 (sub stream)
Video Compression	H.265, H.264, M-JPEG (16kbps – 8000kbps)
Audio Compression	G.711A (64kbps)
Open Standard	ONVIF (Profile S)
Min. Illumination	0.0 lux (IR on), 0.002 lux@F1.4 (IR off)
IR Range	20m (adjustable)
Sync System	Internal
Scan System	Progressive scan
Lens	2.8-8mm motorized lens
Electronic Shutter	Auto / manual (1/30-1/10000) / FLK
S/N Ratio	≥50db
<b>CONTROL</b>	
Video Adjustment	Brightness, contrast, sharpness, hue
3D Noise Reduction	Close / low / mid / mid-high / high
True WDR	Close / low / mid / high
Auto Gain Control	Low / mid-low / mid / mid-high / high
Day / Night Mode	Auto / day / night
Privacy Mask	4 zones
Mirror	Close / horizontal / vertical / 90° rotation / 180° rotation / 270° rotation
Sens-Up	Auto / manual
<b>EVENT</b>	
Event Type	External alarm, video motion detection, video tamper, network interruption
Video Analysis	Tripwire, loitering, missing / unattended object detection, crowd monitoring
Action Type	Dial-back, snapshot, relay switch control, email notification, micro SD card recording
External Alarm Input	2
Motion Detection	4
Relay Output	1
<b>COMMUNICATION</b>	
Network	RJ-45, 100 base-T
Protocol	TCP/IP, UDP, HTTP, DHCP, RTSP, DDNS, SMTP(SSL), PPPoE, UPNP, NTP, P2P
Concurrent Connection	5
Audio Input	1
Audio Output	1
Video Output	1 (CVBS)
<b>MISCELLANEOUS</b>	
Weather Protection	IP66
Operating Environment	-20 ~ 55°C / 90% relative humidity (no condensation)
Power Supply	DC12V/PoE, 8W
Dimensions (mm)	88 (W) x 81 (H) x 186(L)
Weight	690g

## Dimensions



### WAMA Technology Limited

Unit 502, 5/F, Block B, Wing Kut Industrial Building,  
608 Castle Peak Road, Kowloon, Hong Kong.

Tel : (852) 3703 9260  
Fax : (852) 3705 0053

Email : info@wamatech.co  
Website : www.wamatech.co